

6 5 4 3 2 1

D

C

B

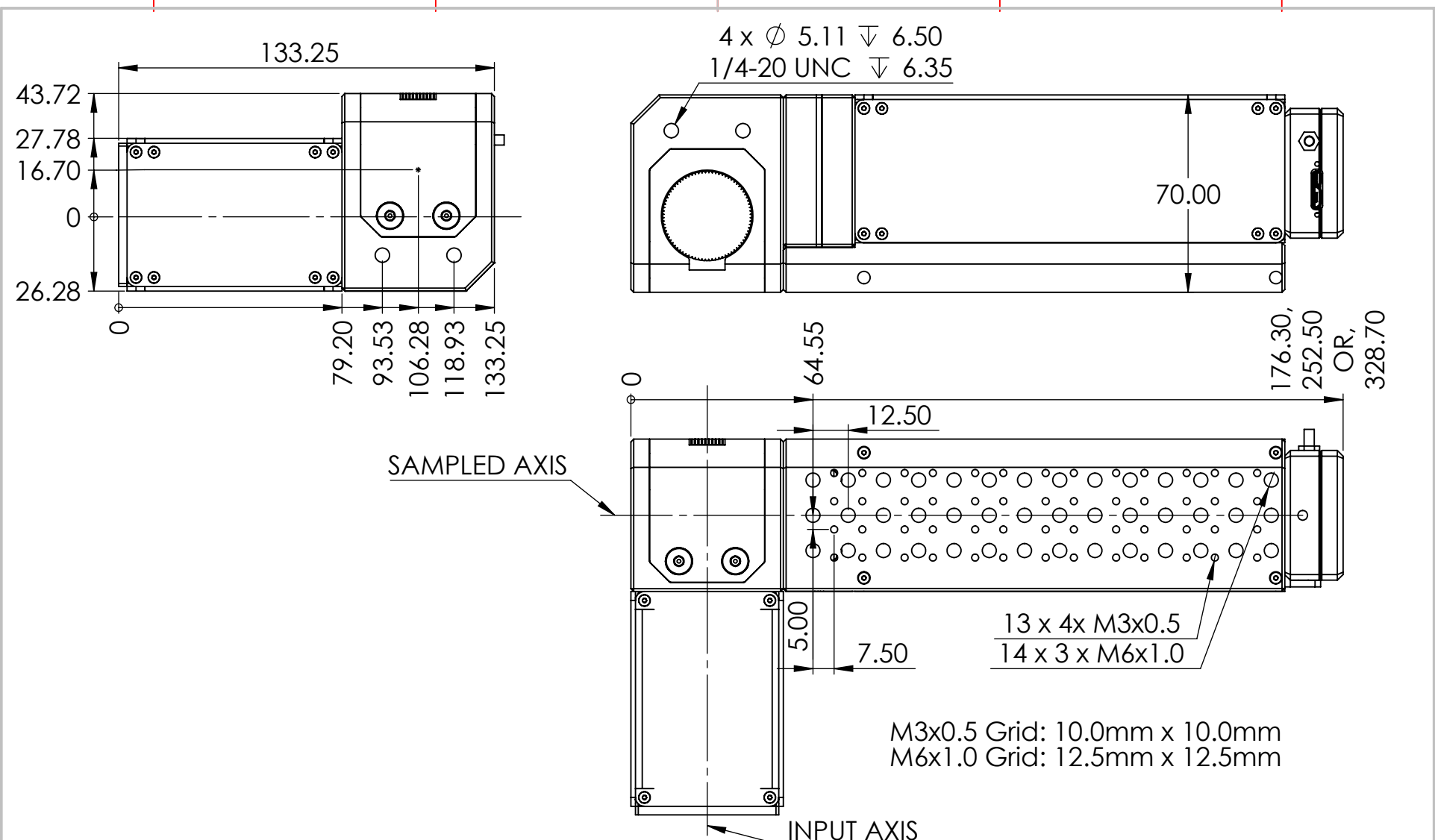
A


D

C

B

A



| | | | | | | |
|--|-----------|-----------|----------|---|--------------------|--------------|
| UNLESS OTHERWISE SPECIFIED: | | COMMENTS: | |  | | |
| DIMENSIONS ARE IN mm TOLERANCES: LINEAR: ±0.05 ANGULAR: ±0.05 | | | | | | |
| MATERIAL | DRAWN | NAME | DATE | TITLE: | | |
| - | CHECKED | SM | 20221221 | ILMS Mounting | | |
| FINISH | ENG APPR. | | | SIZE | DWG. NO. | REV |
| - | MFG APPR. | A | | A | ILMS PPBS Mounting | 1 |
| DO NOT SCALE DRAWING | | Q.A. | A | SCALE: 1:2 | WEIGHT: | SHEET 1 OF 1 |

THE INFORMATION CONTAINED IN THIS DRAWING IS THE SOLE PROPERTY OF DATARAY INC. ANY REPRODUCTION IN PART OR AS A WHOLE WITHOUT THE WRITTEN PERMISSION OF DATARAY INC. IS PROHIBITED.

6 5 4 3 2 1