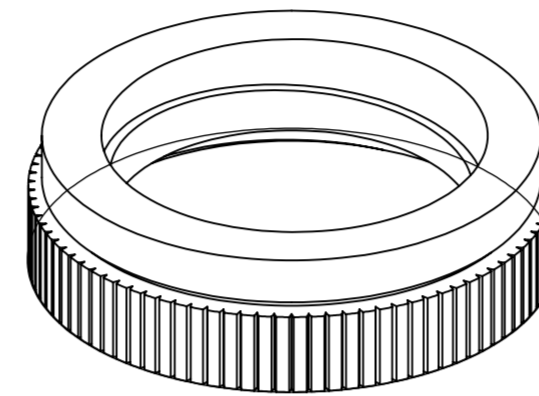
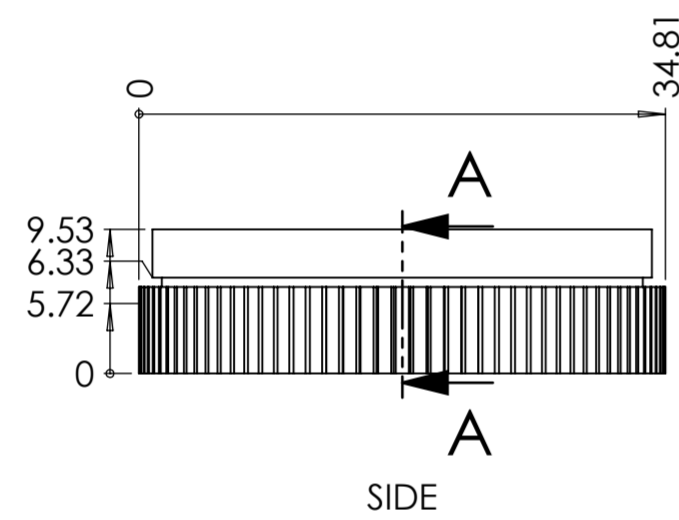


Back Thread: 1.3"-20 UNS THRU

BACK



SECTION A-A

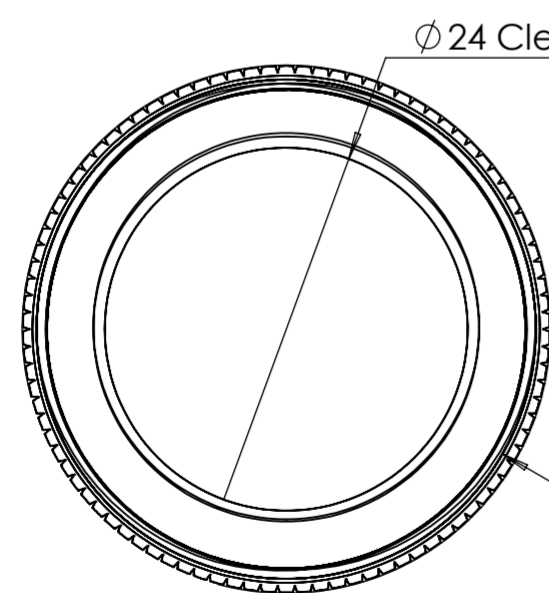


SIDE

Large ND (Neutral Density) filter for use with TaperCamD20-15-UCD23 cameras (1.30"-20 threads). Includes cap with alignment target. Filter is mounted at 3° to axis.

ND value specified at 546 nm.

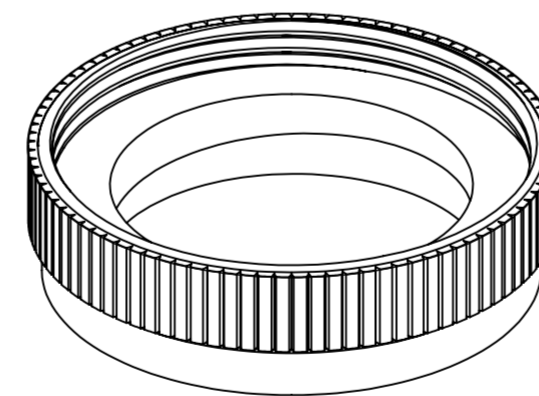
See <https://www.dataray.com/nd-filter-large.html> for additional information.



Ø 24 Clear Aperture

Front Thread: 1.3"-20 UNS  $\nabla$  2.8

FRONT



Part Number	Target ND @546nm	Target ND @675nm
NDL-0.5	0.54	0.5
NDL-1	1.17	1
NDL-2	2.34	2
NDL-3	3.51	3
NDL-4	4.67	4
NDL-5	5.84	5



THIRD ANGLE PROJECTION		NAME	DATE	DWG TITLE:	
	DRAWN	SM	180123	DataRay NDL Filter	A2
	APPROVAL	RD	180123		
COPYRIGHT © 2017 BY DATARAY INC.			REV:	1	SCALE:2:1 SHEET 1 OF 1