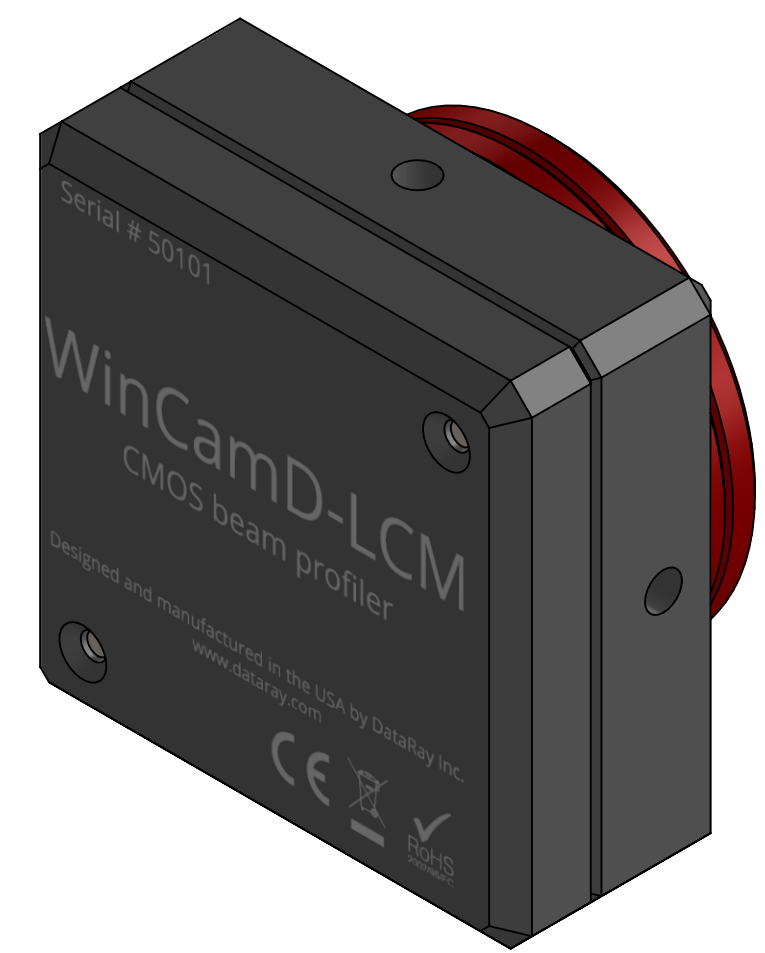
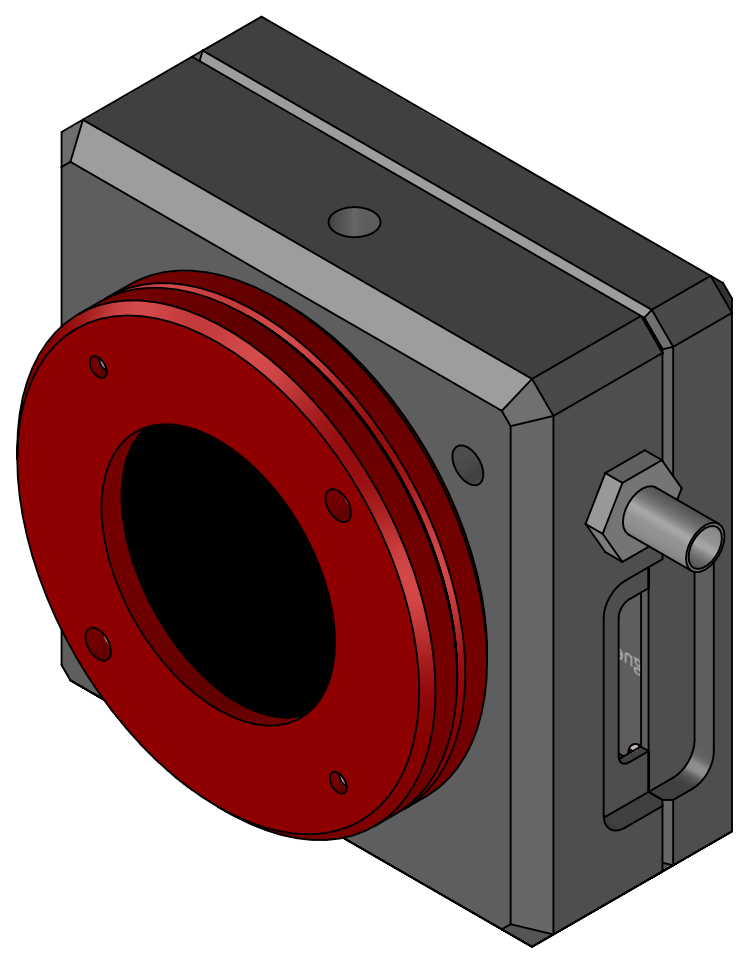
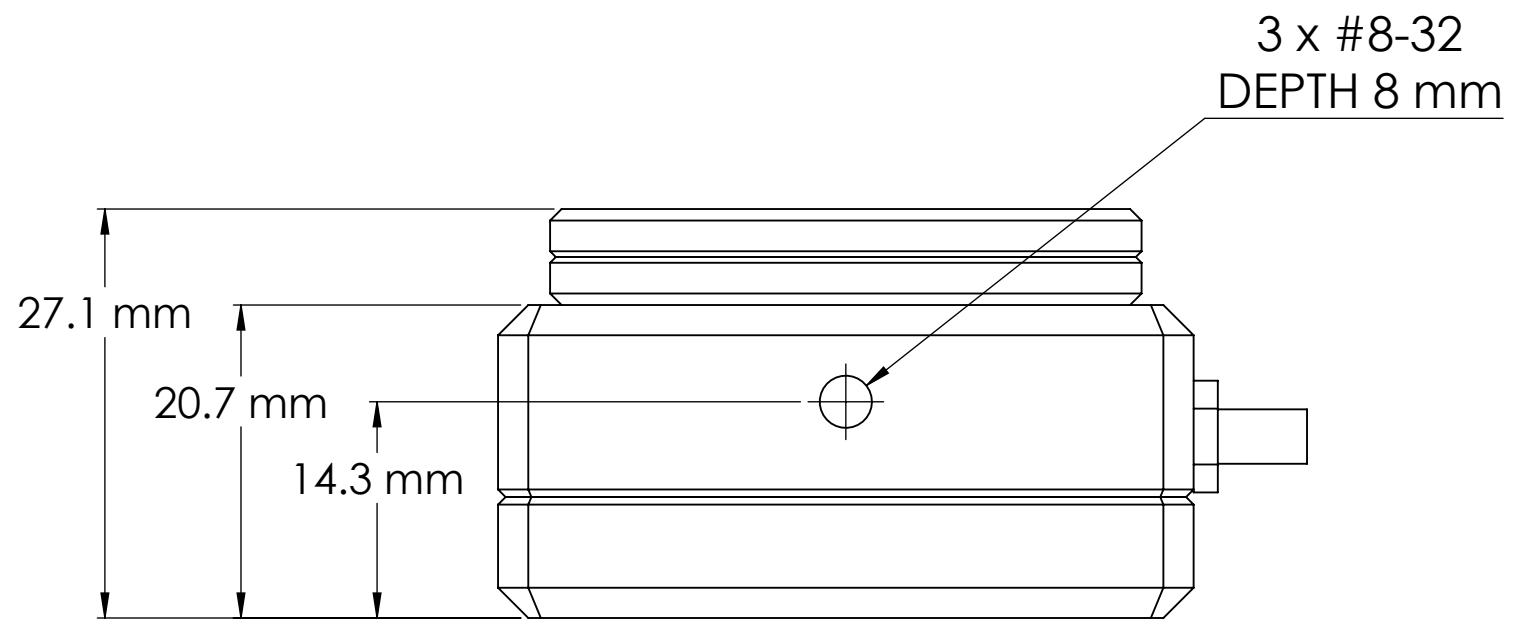


ACTIVE SENSOR AREA  
11.3 mm x 11.3 mm  
(1" OPTICAL FORMAT)

1"-32 C-MOUNT  
OR MAGNETIC MOUNT



THIRD ANGLE PROJECTION		NAME	DATE	DWG TITLE:	
		DRAWN	MGD	01/20/14	WinCamD-LCM A2
		APPROVAL	RVD	01/24/14	
COPYRIGHT © 2013 BY DATARAY INC.			REV: 3	SCALE:2:1	SHEET 1 OF 1