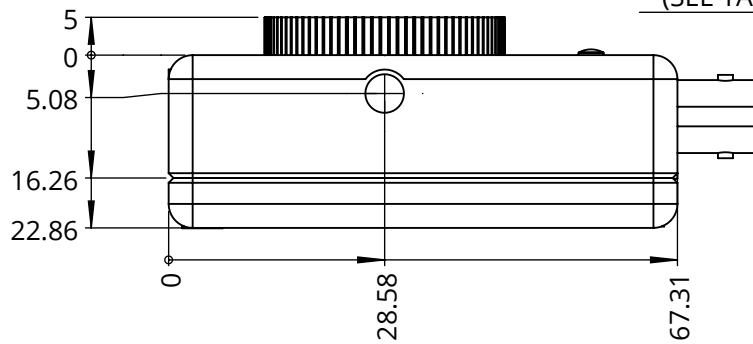
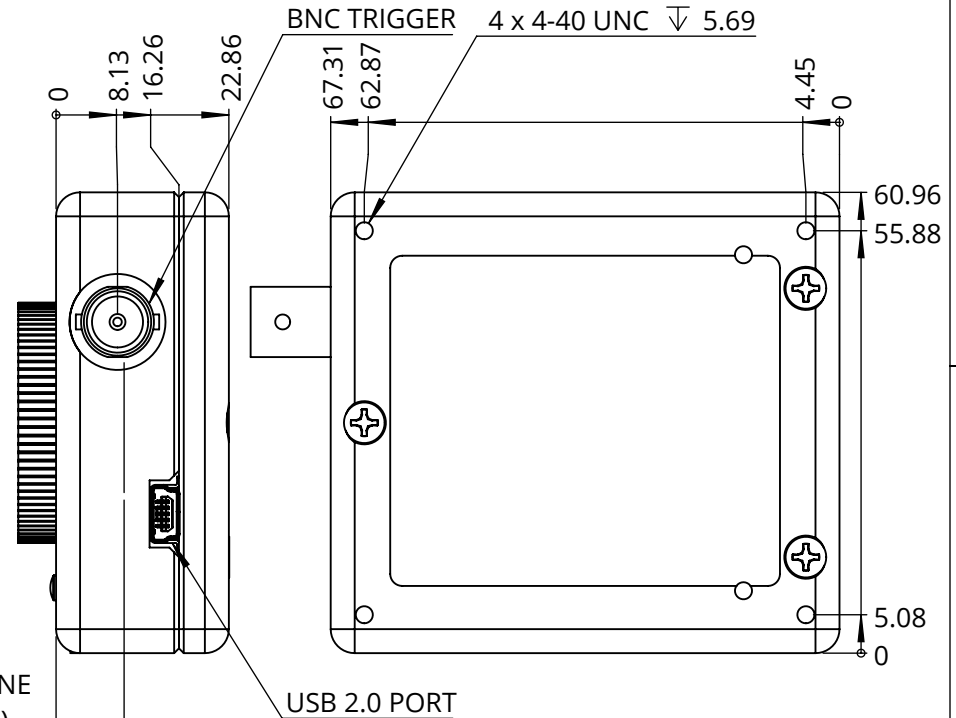
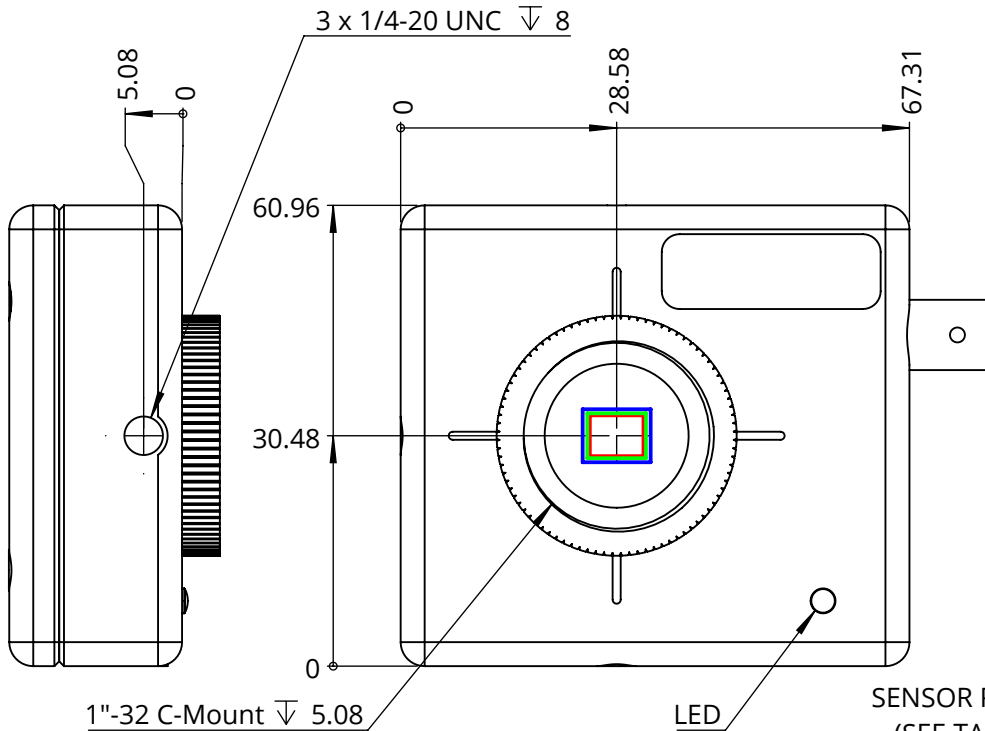


General Table		
	ACTIVE SENSOR AREA	SENSOR PLANE DISTANCE*
WinCamD-UCD12	6.3 x 4.8 mm	8.9 mm
WinCamD-UCD15	7.1 x 5.4 mm	5.9 mm
WinCamD-UCD23	8.8 x 6.6 mm	8.2 mm

* Chip depth from front of case +/- 0.2mm



DATARAY.COM +1-866-946-2263 +1-530-776-0843			
THIRD ANGLE PROJECTION 		TITLE: WinCamD - UCD	
DRAWN SM	NAME SM	DATE 20200303	COPYRIGHT © 2020 BY DATARAY INC. REV 4 SCALE: 1:1 SHEET 1 OF 1
APPROVED LTR	NAME RD	DATE 20200303	
SIZE LTR			