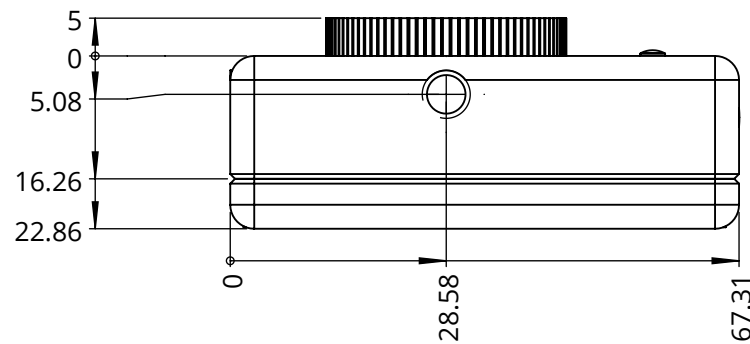
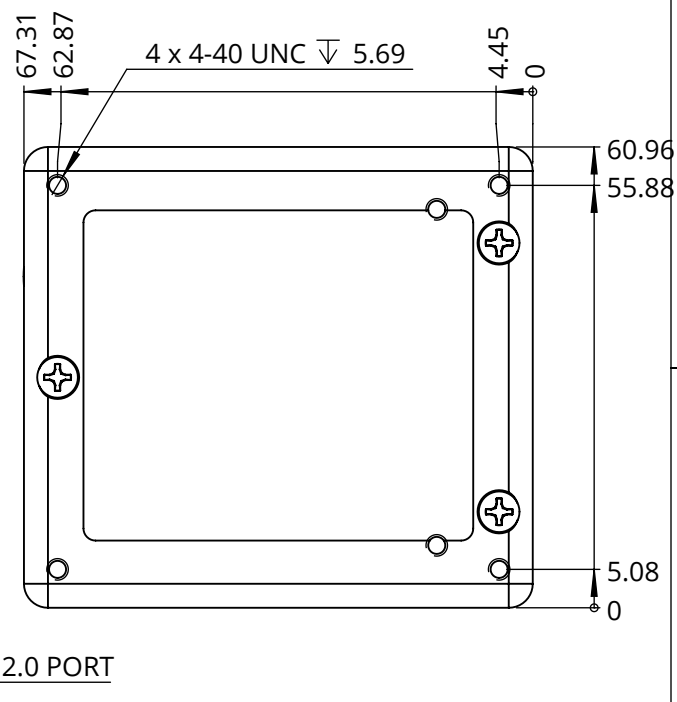
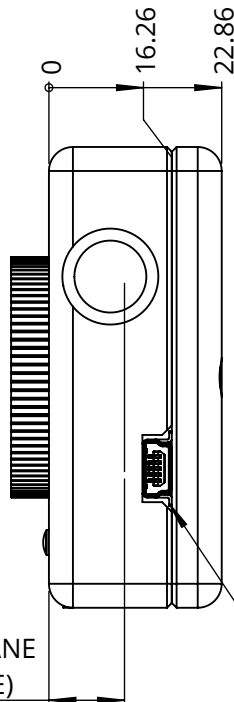
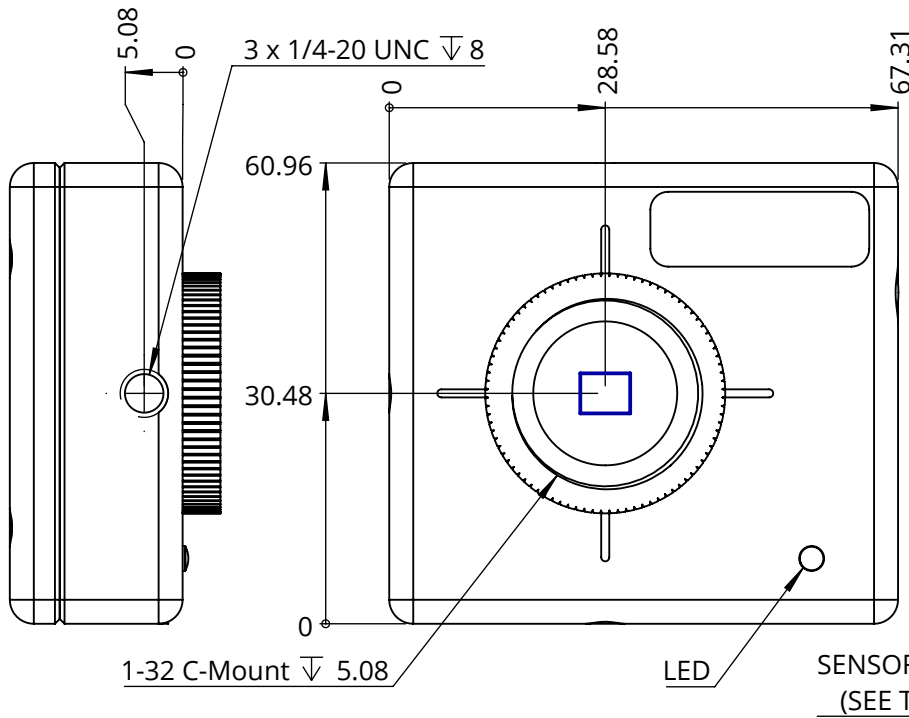


General Table		
	ACTIVE SENSOR AREA	SENSOR PLANE DISTANCE*
WinCamD-UHR	6.6 x 5.3 mm	9.4 mm
WinCamD-XHR	6.5 x 4.9 mm	9.4 mm

* Chip depth from front of case +/- 0.2mm



DATARAY.COM +1-866-946-2263 +1-530-776-0843			
THIRD ANGLE PROJECTION 		TITLE: WinCamD - UHR / XHR	
DRAWN SM	NAME SM	DATE 20200303	COPYRIGHT © 2020 BY DATARAY INC. REV 4 SCALE: 1:1 SHEET 1 OF 1
APPROVED RD	NAME RD	DATE 20200303	
SIZE LTR	NAME LTR	DATE LTR	