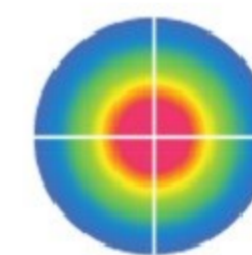
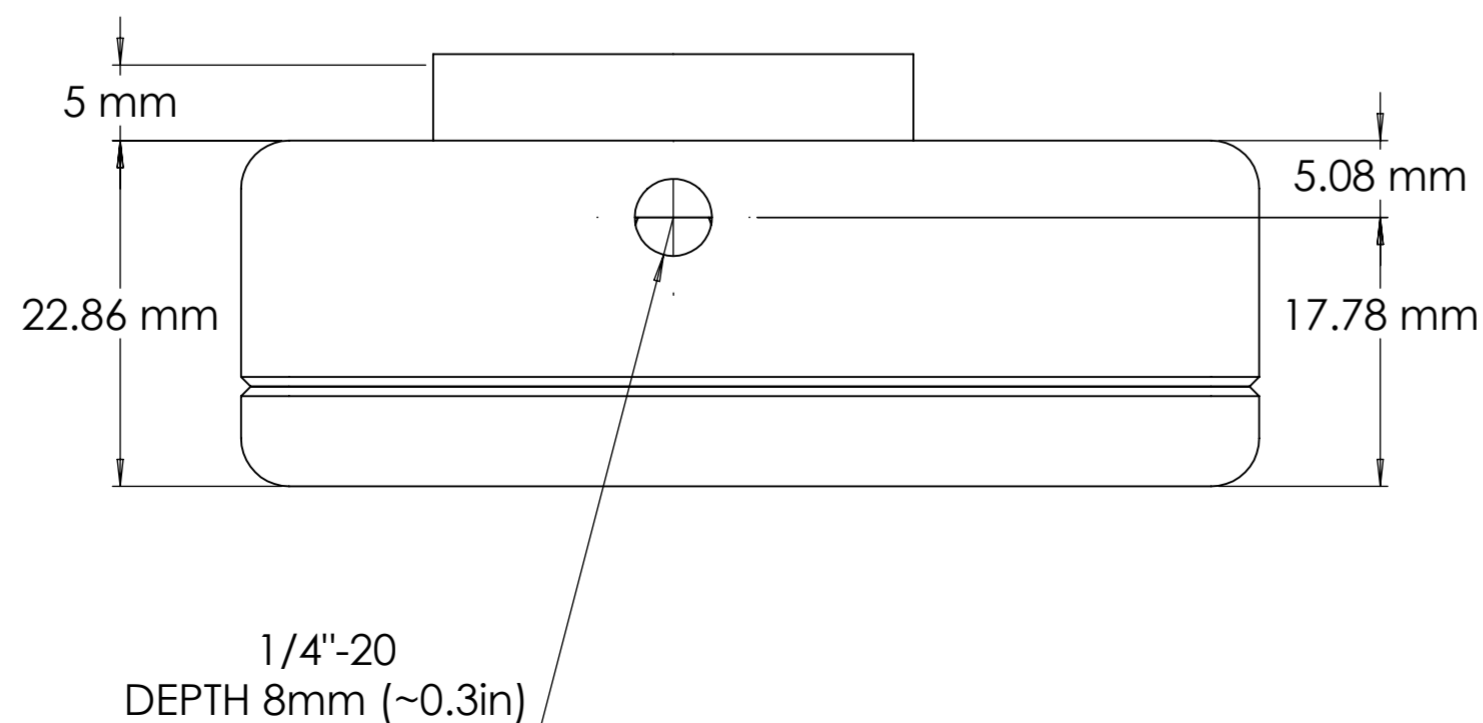


SENSOR PLANE DISTANCE*	
WinCamD-UCD12	8.9 mm
WinCamD-UCD15	5.9 mm
WinCamD-UCD23	8.2 mm
WinCamD-UHR	9.4 mm
WinCamD-XHR	9.4 mm

* Chip depth from front of case +/- 0.2mm

ACTIVE SENSOR AREA	
WinCamD-UCD12	6.3 x 4.8 mm
WinCamD-UCD15	7.1 x 5.4 mm
WinCamD-UCD23	8.8 x 6.6 mm
WinCamD-UHR	6.6 x 5.3 mm
WinCamD-XHR	6.5 x 4.9 mm



DataRay Inc.
Advancing the Technology of Laser Beam Analysis

www.dataray.com

NAME	DATE	DIMENSIONS IN MILLIMETERS UNLESS SPECIFIED	DWG TITLE	
DRAWN MGD	3/8/17	REV: 2	WinCamD	A2
APPROVAL RVD	3/8/17			
COPYRIGHT © 2013 BY DATARAY INC.		APPROX WEIGHT: 100 g	SCALE:2:1	SHEET 1 OF 1